

End plate detail ▲

A screen that has been dubbed “Made for Installation” due to its innovative assembly system. In addition, this model disappears into a false ceiling by means of a retractable mechanism, and is endowed with the classic tensioning method, which ensures a perfect planarity of the surface while safeguarding a harmonious aesthetic impact. Two elastic cables depart from the ends of the base and are threaded through eyelets along the sides of the canvas, creating a lateral arch which avoids the risk of any creases forming during the rolling phase, despite the presence of the eyelets.

While maintaining the characteristic Inceel design, this solution further enhances an invaluable tool for your work and leisure time without posing any space limitations.

Available with 50 or 70 mm lateral black borders.

See page **178**
for Technical data

Create your own screen with the PSS

- > **Personalized dimensions:** width and height
- > **Motor type:** standard motor or radio integrated motor (optional)
- > **Case:** available only with case
- > **Case color:** standard in White Matte. Optional in any other color for an extra cost
- > **Standard Drop:** from 5 to 45 cm
- > **Projection surface fall:** back (standard), front or reverse-roll (optional)
- > **Side of command/motor:** right only

Projection Surfaces (see page 6)

- > VisionWhite / VisionWhitePro
- > AmbientGrey
- > ReferenceWhite / ReferenceGrey
- > VisionAcoustik
- > VisionRear DB and VisionRear, only without black borders

Standard Accessories

- > Kit containing eight 50 cm threaded bars for installation with maximum height of 1 m
- > Unipolar switch
- > Remote control (only for radio integrated version)
- > End plates for closing the plasterboard

Optional Accessories

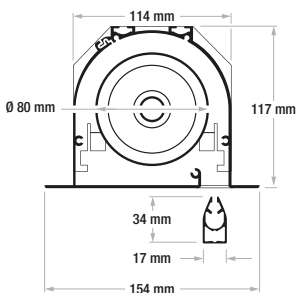
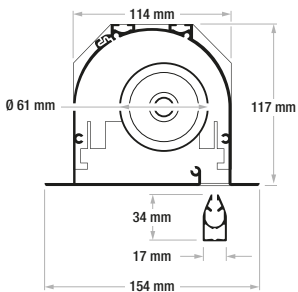
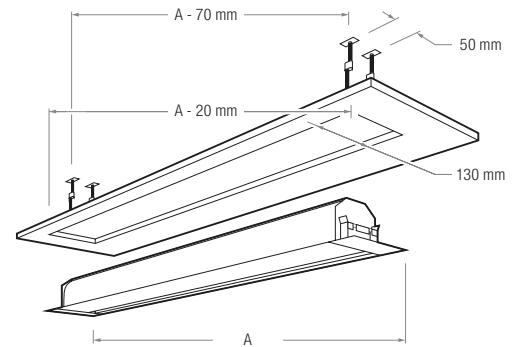
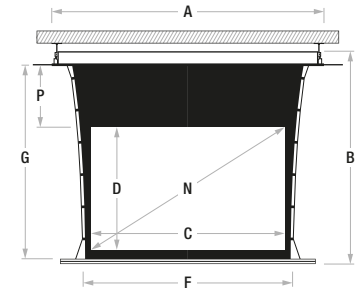
- > Interface to drive the screen in radio frequency with remote control (not included), 12V trigger, unipolar switch, dry contact or RS232
- > Receiver and infrared remote control
- > Extension brackets for screens up to 60 cm

PSS Formats

1:1	1.33:1	1.60:1	1.78:1	2.35:1	2.37:1	2.40:1
	4:3	16:10	16:9	21:9		

Inceel Tensio Classic 50 mm borders / without borders

Aspect Ratio	Viewing Width	Viewing Height	Diagonal Inches	Overall Width	Overall Height	Surface Width	Surface Height	Standard Drop	Total Maximum Drop	Packaging Dimensions	Net Weight	Gross Weight
	C	D	N	A	B	F	G	P	mm	mm	kg	kg
1,00 (1:1)	1850	1850	103	2370	2101	1950	1950	50	50	2383x200x210	18	23
	2150	2150	120	2670	2451	2250	2300	100	100	2683x200x210	19	24
	2650	2650	148	3170	2951	2750	2800	100	100	3183x200x210	21	26
1,33 (4:3)	1850	1391	91	2370	1642	1950	1491	50	450	2383x200x210	18	23
	2150	1617	106	2670	1918	2250	1767	100	450	2683x200x210	19	24
	2650	1992	131	3170	2293	2750	2142	100	450	3183x200x210	21	26
1,60 (16:10)	1850	1156	86	2370	1407	1950	1256	50	450	2383x200x210	17	22
	2150	1344	100	2670	1595	2250	1444	50	450	2683x200x210	18	23
	2650	1656	123	3170	1907	2750	1756	50	450	3183x200x210	20	25
1,78 (16:9)	1850	1039	84	2370	1290	1950	1139	50	450	2383x200x210	17	22
	2150	1208	97	2670	1459	2250	1308	50	450	2683x200x210	18	23
	2650	1489	120	3170	1740	2750	1589	50	450	3183x200x210	20	25
2,35 (21:9)	1850	787	79	2370	1038	1950	887	50	450	2383x200x210	17	22
	2150	915	92	2670	1166	2250	1015	50	450	2683x200x210	18	23
	2650	1128	113	3170	1379	2750	1228	50	450	3183x200x210	20	25
2,37	1850	1340	135	3670	1641	3250	1490	100	450	3683x200x210	22	27
	2150	1553	156	4170	1854	3750	1703	100	450	4183x200x210	24	29
	3650	2051	165	4170	2352	3750	2201	100	450	4183x200x210	24	29
2,40	1850	771	79	2370	1022	1950	871	50	450	2383x200x210	17	22
	2150	896	92	2670	1147	2250	996	50	450	2683x200x210	18	23
	2650	1104	113	3170	1355	2750	1204	50	450	3183x200x210	20	25
2,40	3150	1313	134	3670	1614	3250	1463	100	450	3683x200x210	22	27
	3650	1540	156	4170	1841	3750	1690	100	450	4183x200x210	24	29



In certain circumstances, due to the surface's height, it is necessary to use a case with the rolling tube of 80 mm.

Inceel Tensio Classic 70 mm borders

Aspect Ratio	Viewing Width	Viewing Height	Diagonal Inches	Overall Width	Overall Height	Surface Width	Surface Height	Standard Drop	Total Maximum Drop	Packaging Dimensions	Net Weight	Gross Weight
	C	D	N	A	B	F	G	P	mm	mm	kg	kg
1,00 (1:1)	1810	1810	101	2370	2101	1950	1950	70	70	2383x200x210	18	23
	2110	2110	117	2670	2431	2250	2280	100	100	2683x200x210	19	24
	2610	2610	145	3170	2931	2750	2780	100	100	3183x200x210	21	26
1,33 (4:3)	1810	1361	89	2370	1652	1950	1501	70	450	2383x200x210	18	23
	2110	1586	104	2670	1907	2250	1756	100	450	2683x200x210	19	24
	2610	1962	129	3170	2283	2750	2132	100	450	3183x200x210	21	26
1,60 (16:10)	1810	1131	84	2370	1422	1950	1271	70	450	2383x200x210	17	22
	2110	1319	98	2670	1610	2250	1459	70	450	2683x200x210	18	23
	2610	1631	121	3170	1922	2750	1771	70	450	3183x200x210	20	25
1,78 (16:9)	1810	1017	82	2370	1308	1950	1157	70	450	2383x200x210	17	22
	2110	1185	95	2670	1476	2250	1325	70	450	2683x200x210	18	23
	2610	1466	118	3170	1757	2750	1606	70	450	3183x200x210	20	25
2,35 (21:9)	1810	770	77	2370	1061	1950	910	70	450	2383x200x210	17	22
	2110	898	90	2670	1189	2250	1038	70	450	2683x200x210	18	23
	2610	1111	112	3170	1402	2750	1251	70	450	3183x200x210	20	25
2,37	3110	1323	133	3670	1644	3250	1493	100	450	3683x200x210	22	27
	3610	1536	154	4170	1857	3750	1706	100	450	4183x200x210	24	29
	1810	764	77	2370	1055	1950	904	70	450	2383x200x210	17	22
2,40	2110	890	90	2670	1181	2250	1030	70	450	2683x200x210	18	23
	2610	1101	112	3170	1392	2750	1241	70	450	3183x200x210	20	25
	3110	1312	133	3670	1633	3250	1482	100	450	3683x200x210	22	27
2,40	3610	1523	154	4170	1844	3750	1693	100	450	4183x200x210	24	29
	1810	754	77	2370	1045	1950	894	70	450	2383x200x210	17	22
	2110	879	90	2670	1170	2250	1019	70	450	2683x200x210	18	23
2,40	2610	1088	111	3170	1379	2750	1228	70	450	3183x200x210	20	25
	3110	1296	133	3670	1617	3250	1466	100	450	3683x200x210	22	27
	3610	1504	154	4170	1825	3750	1674	100	450	4183x200x210	24	29



Surface Fireproof Certifications